

To MIPS or Not to MIPS

That is the CP Question!

SHARE Anaheim 15201

EWCP

Gary King
IBM

March 13, 2014

Trademarks

The following are trademarks of the International Business Machines Corporation in the United States and/or other countries.

AlphaBlox*	GDPS*	RACF*	Tivoli*
APPN*	HiperSockets	Redbooks*	Tivoli Storage Manager
CICS*	HyperSwap	Resource Link	TotalStorage*
CICS/VSE*	IBM*	RETAIN*	VSE/ESA
Cool Blue	IBM eServer	REXX	VTAM*
DB2*	IBM logo*	RMF	WebSphere*
DFSMS	IMS	S/390*	zEnterprise
DFSMSHsm	Language Environment*	Scalable Architecture for Financial Reporting	xSeries*
DFSMSrmm	Lotus*	Sysplex Timer*	z9*
DirMaint	Large System Performance Reference™ (LSPR™)	Systems Director Active Energy Manager	z10
DRDA*	Multiprise*	System/370	z10 BC
DS6000	MVS	System p*	z10 EC
DS8000	OMEGAMON*	System Storage	z/Architecture*
ECKD	Parallel Sysplex*	System x*	z/OS*
ESCON*	Performance Toolkit for VM	System z	z/VM*
FICON*	PowerPC*	System z9*	z/VSE
FlashCopy*	PR/SM	System z10	zSeries*
	Processor Resource/Systems Manager		

* Registered trademarks of IBM Corporation

The following are trademarks or registered trademarks of other companies.

Adobe, the Adobe logo, PostScript, and the PostScript logo are either registered trademarks or trademarks of Adobe Systems Incorporated in the United States, and/or other countries.

Cell Broadband Engine is a trademark of Sony Computer Entertainment, Inc. in the United States, other countries, or both and is used under license therefrom.

Java and all Java-based trademarks are trademarks of Sun Microsystems, Inc. in the United States, other countries, or both.

Microsoft, Windows, Windows NT, and the Windows logo are trademarks of Microsoft Corporation in the United States, other countries, or both.

Intel, Intel logo, Intel Inside, Intel Inside logo, Intel Centrino, Intel Centrino logo, Celeron, Intel Xeon, Intel SpeedStep, Itanium, and Pentium are trademarks or registered trademarks of Intel Corporation or its subsidiaries in the United States and other countries.

UNIX is a registered trademark of The Open Group in the United States and other countries.

Linux is a registered trademark of Linus Torvalds in the United States, other countries, or both.

ITIL is a registered trademark, and a registered community trademark of the Office of Government Commerce, and is registered in the U.S. Patent and Trademark Office.

IT Infrastructure Library is a registered trademark of the Central Computer and Telecommunications Agency, which is now part of the Office of Government Commerce.

* All other products may be trademarks or registered trademarks of their respective companies.

Notes:

Performance is in Internal Throughput Rate (ITR) ratio based on measurements and projections using standard IBM benchmarks in a controlled environment. The actual throughput that any user will experience will vary depending upon considerations such as the amount of multiprogramming in the user's job stream, the I/O configuration, the storage configuration, and the workload processed. Therefore, no assurance can be given that an individual user will achieve throughput improvements equivalent to the performance ratios stated here.

IBM hardware products are manufactured from new parts, or new and serviceable used parts. Regardless, our warranty terms apply.

All customer examples cited or described in this presentation are presented as illustrations of the manner in which some customers have used IBM products and the results they may have achieved. Actual environmental costs and performance characteristics will vary depending on individual customer configurations and conditions.

This publication was produced in the United States. IBM may not offer the products, services or features discussed in this document in other countries, and the information may be subject to change without notice. Consult your local IBM business contact for information on the product or services available in your area.

All statements regarding IBM's future direction and intent are subject to change or withdrawal without notice, and represent goals and objectives only.

Information about non-IBM products is obtained from the manufacturers of those products or their published announcements. IBM has not tested those products and cannot confirm the performance, compatibility, or any other claims related to non-IBM products. Questions on the capabilities of non-IBM products should be addressed to the suppliers of those products.

Prices subject to change without notice. Contact your IBM representative or Business Partner for the most current pricing in your geography.

MIPS - can one number fit all?

- It's commonplace to assign IBM System z processors a capacity rating called MIPS
- The MIPS rating is very often used
 - ▶ to track and set workload capacity requirements
 - ▶ to select the proper size processor for the workload
- Today, we will discuss
 - ▶ just what are MIPS and where do they come from?
 - ▶ for a given processor, do all workloads run at the same MIPS?
 - ▶ how much trouble can using MIPS get us into?
 - and what to do about it

Just what are MIPS?

- Once upon a time, MIPS really meant Millions of Instructions Per Second
- As commonly used today, MIPS has become a RELATIVE indicator of AVERAGE processor CAPACITY
- MIPS are based on capacity RATIOS between processors
- MIPS are still in the ballpark of real Mi/sec
- Generally speaking,

MIPS of new processor =

MIPS of old processor x the AVERAGE CAPACITY RATIO new:old

Average Capacity Ratio

- IBM System z sets average capacity ratios among processors based on a variety of measured workloads which are published in the Large System Performance Reference (LSPR)
 - ▶ <https://www.ibm.com/servers/resourcelink/lib03060.nsf/pages/lspindex>
- Old and new processors are measured in the same environment with the same workloads at high utilizations ($\geq 90\%$)
- Over time, workloads and environment are updated to stay current with customer profiles
 - ▶ old processors measured with new workloads/environment may have different average capacity ratios compared to when they were originally measured

So, can one number (MIPS) fit all?

- To find out we have to ask ...
 - ▶ When is it okay to use an average and when is it not?

- Sources of variation from average capacity ratio
 - ▶ System design
 - ▶ Workload characteristics
 - ▶ Workload scaling
 - ▶ CPU utilization
 - ▶ LPAR configurations
 - ▶ Coupling technology

System Design: Processor

■ Processor Design

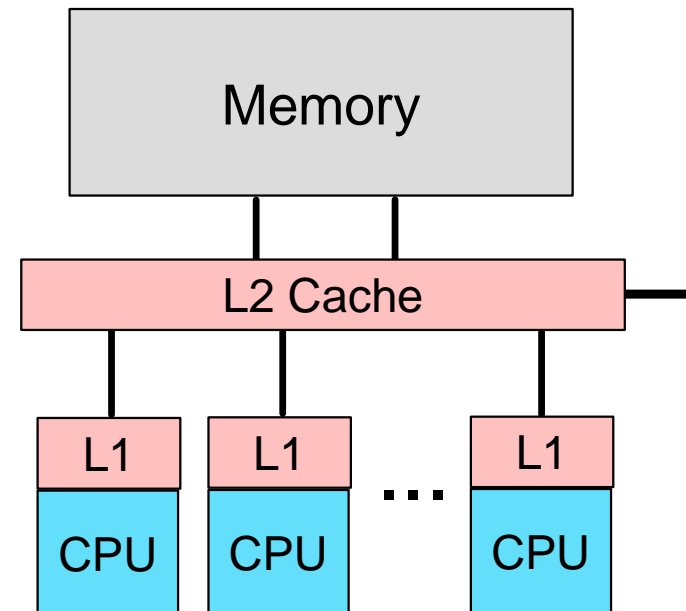
▶ CPU (core)

- cycle time
- pipeline
- branch prediction
- hardware vs. millicode

▶ memory hierarchy (nest)

- high speed buffers (caches)
 - on chip, on module
 - private, shared
- buses
 - number, bandwidth
- latency
 - distance
 - speed of light

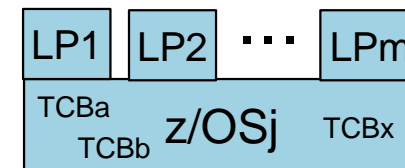
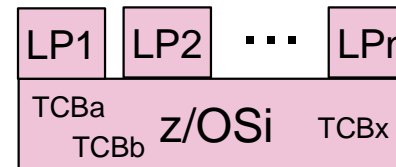
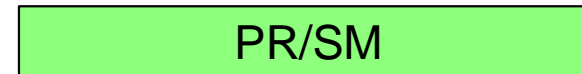
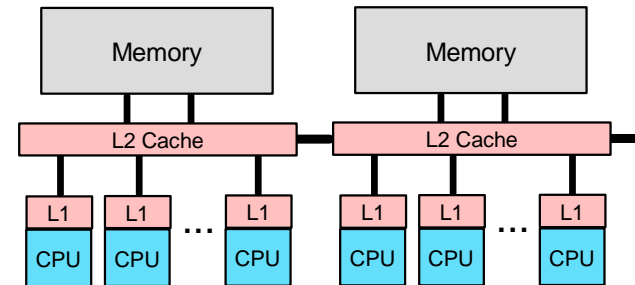
Logical View of Single Book



System Design: Hypervisor and OS

- Hypervisor (PR/SM)
 - ▶ virtualization layer at OS level
 - ▶ distributes physical resources
 - memory
 - processors
 - logicals dispatched on physicals
 - dedicated
 - shared
 - affinities
- OS
 - ▶ virtualization layer at addrspc level
 - ▶ distributes logical resources
 - memory
 - processors
 - tasks dispatched on logicals
- Enhanced cooperation
 - ▶ HiperDispatch starting with z10 EC
 - z/OS + PR/SM

Logical View of 2 books



Workload Characteristics

■ Workload Characteristics

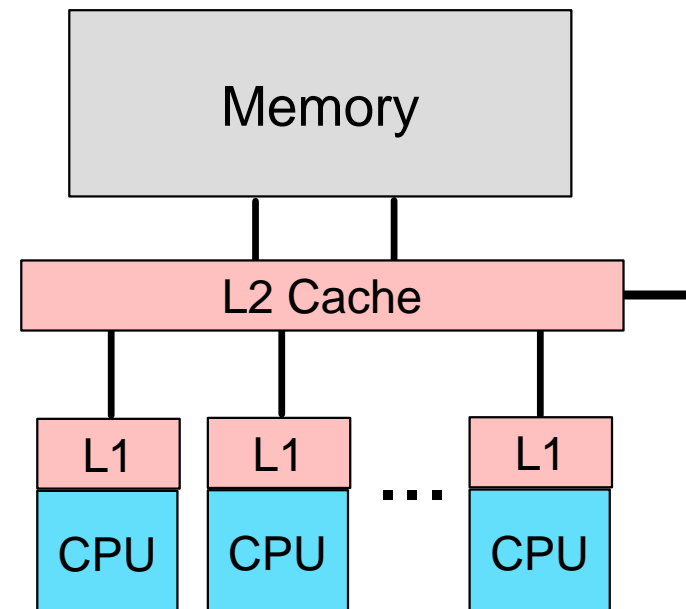
▶ CPU

- instructions
 - mix
 - sequence
 - branch characteristics
- task dispatch profile
 - locked in or chatty

▶ memory

- size
- locality of reference
- multiprogramming level

▶ I/O rate



LSPR z/OS workload primitives

- CB-L commercial batch long job steps
- WASDB WebSphere-focus application server and data base
- OLTP-T traditional online transaction processing
- OLTP-W webenabled access to legacy data

CHARACTERISTICS MORE IMPORTANT THAN NAME

	CPU use profile	I/O	Memory Hierarchy
CB-L	heavy appl, light OS	light	light
WASDB	medium appl and OS	light	light/moderate
OLTP-T	medium appl and OS	heavy	moderate
OLTP-W	medium appl and OS	moderate	stress

NOW RUN IN VARIOUS MIXES TO PRODUCE WORKLOADS MATCHING CUSTOMER PROFILE OF MEMORY HIERARCHY STRESS OR RELATIVE "NEST" INTENSITY (RNI)

Relative Nest Intensity (RNI)

- Activity beyond private cache(s) is the most sensitive area
- Reflects distribution and latency of sourcing from shared caches and memory
- Data for calculation available from CPU MF (SMF 113) starting with z10

LSPR Workload Categories

- Categories developed to match the profile of data gathered on customer systems
 - ▶ over 100 data points (LPARs) used in the profiling
- Various combinations of prior workload primitives are measured to reflect the new workload categories
 - ▶ Applications include CICS, DB2, IMS, OSAM, VSAM, WebSphere, COBOL, utilities
- **LOW** (relative nest intensity)
 - ▶ Workload curve representing light use of the memory hierarchy
 - ▶ Similar to past high Nway scaling workload primitives
- **AVERAGE** (relative nest intensity)
 - ▶ Workload curve expected to represent the majority of customer workloads
 - ▶ Similar to the past LoLO-mix curve
- **HIGH** (relative nest intensity)
 - ▶ Workload curve representing heavy use of the memory hierarchy
 - ▶ Similar to the past DI-mix curve
- zPCR extends these published categories
 - ▶ Low-Avg: 50% LOW and 50% AVERAGE
 - ▶ Avg-High: 50% AVERAGE and 50% HIGH

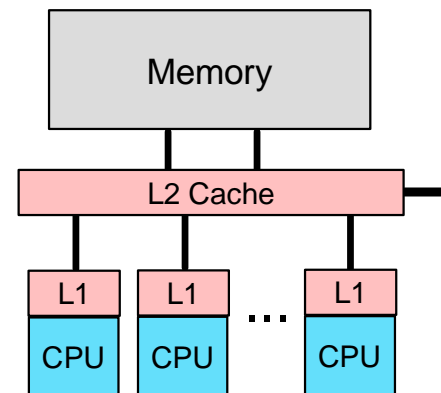
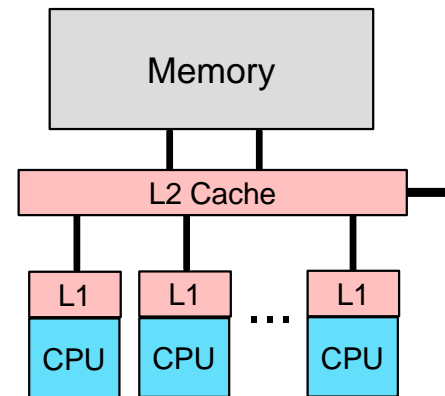
System Design + Workload Characteristics

Variation from Average: sometimes small

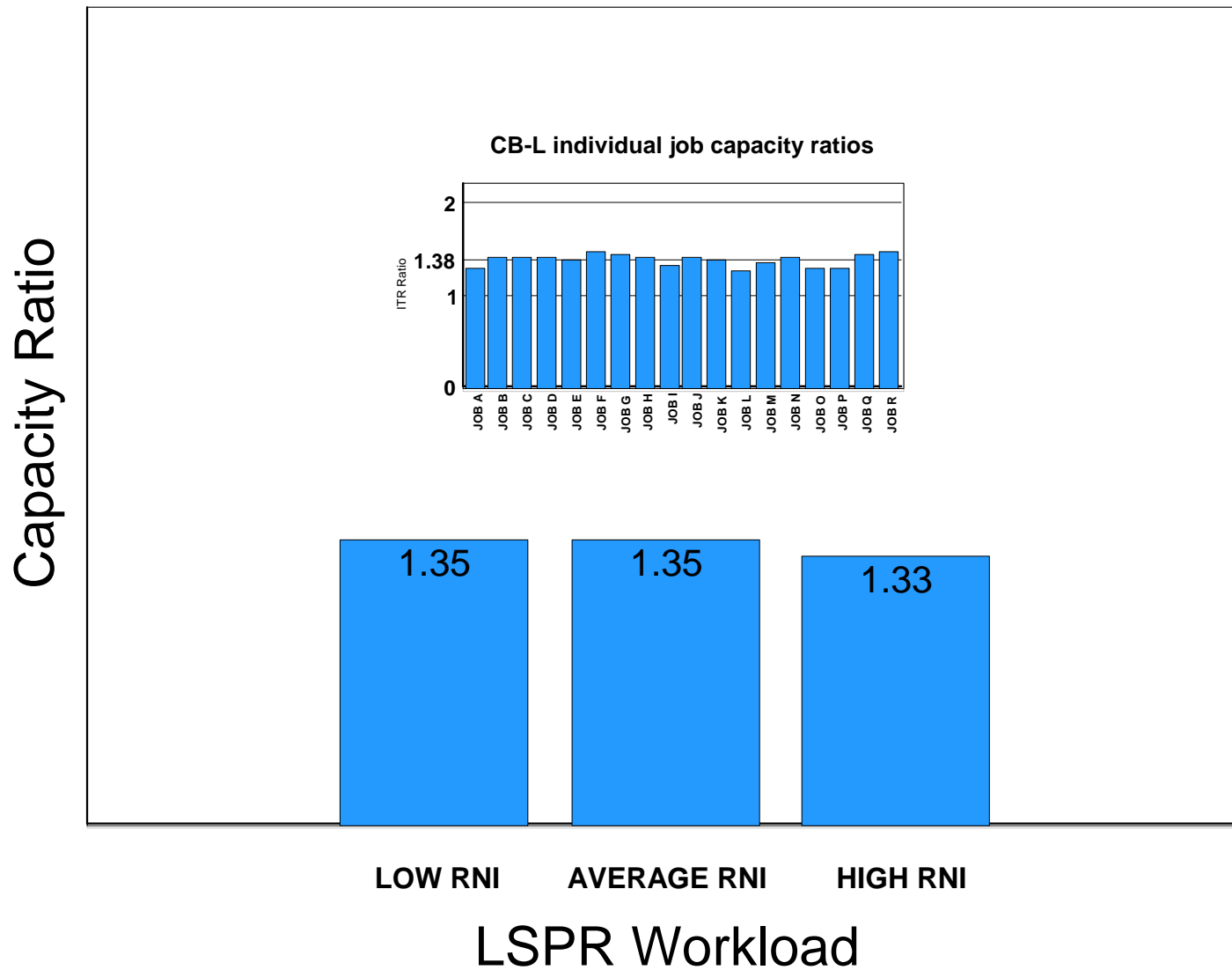
Example: z990 to z9 EC

- z990
 - ▶ CPU
 - 1.2 GHz
 - superscalar
 - ▶ Caches
 - L1 private 256k i, 256k d
 - L2 shared 32 MB / book
 - book interconnect: ring

- z9 EC
 - ▶ CPU
 - 1.7 GHz
 - superscalar
 - ▶ Caches
 - L1 private 256k i, 256k d
 - L2 shared 40 MB / book
 - book interconnect: ring



LSPR Single Image Capacity Ratios 10way: z9 EC versus z990



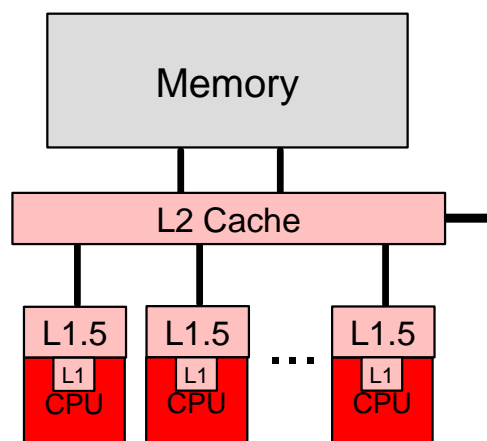
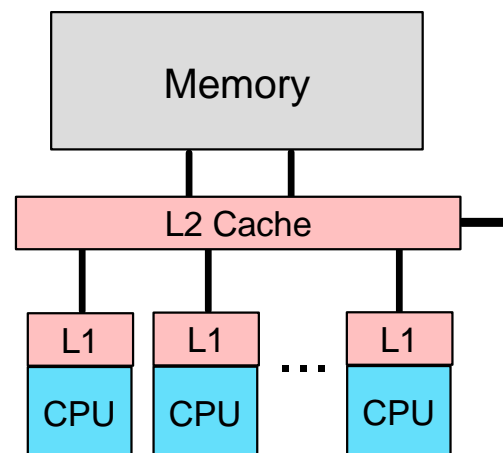
System Design + Workload Characteristics

Variation from Average: sometimes large

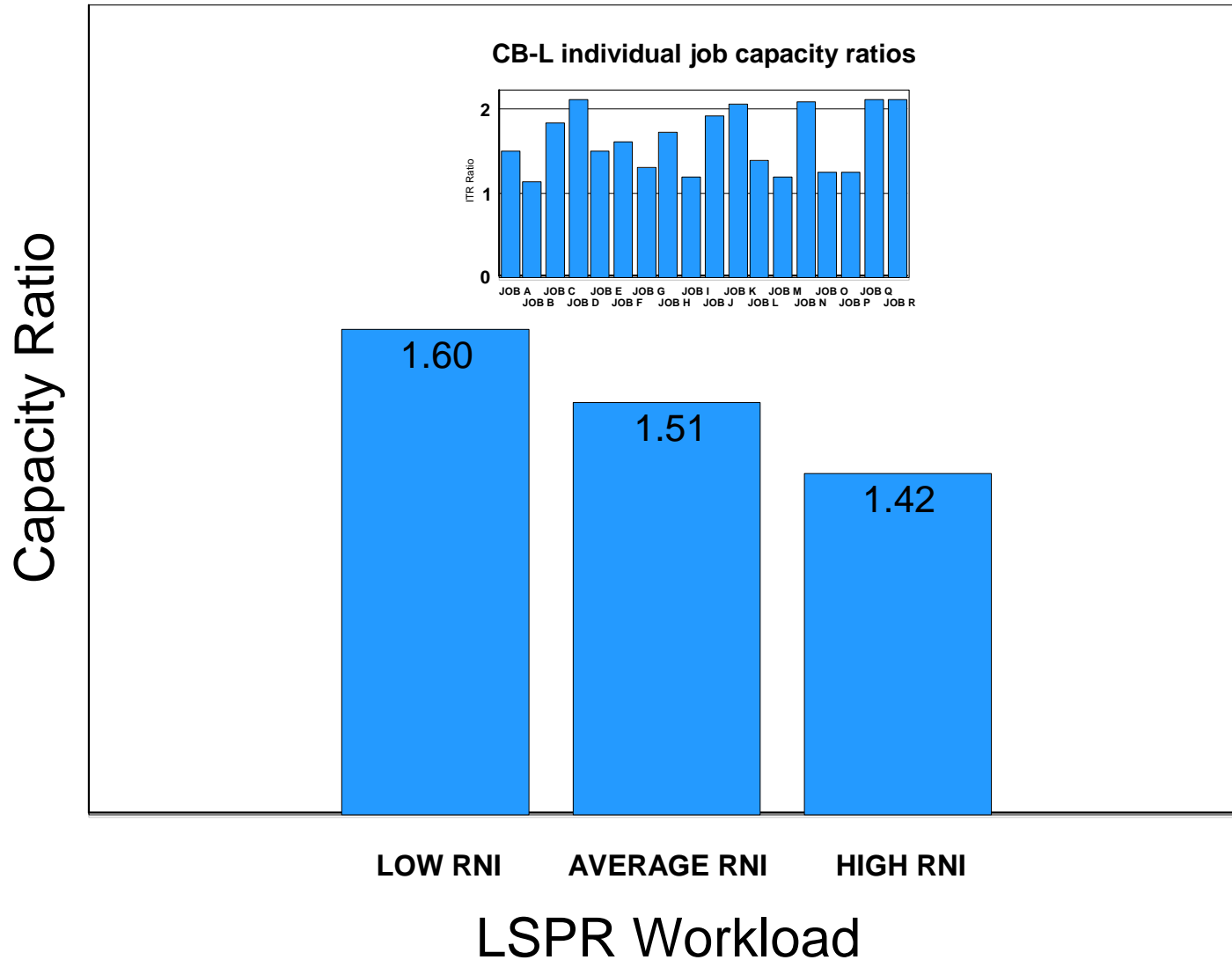
Example: z9 EC to z10 EC

- z9 EC
 - ▶ CPU
 - 1.7 GHz
 - superscalar
 - ▶ Caches
 - L1 private 256k i, 256k d
 - L2 shared 40 MB / book
 - book interconnect: ring

- z10 EC
 - ▶ CPU
 - 4.4 GHz
 - redesigned pipeline
 - superscalar
 - ▶ Caches
 - L1 private 64k i, 128k d
 - L1.5 private 3 MB
 - L2 shared 48 MB / book
 - book interconnect: star



LSPR Single Image Capacity Ratios 10way: z10 EC versus z9 EC



System Design + Workload Characteristics

Variation from Average: sometimes inbetween

Example: z10 EC to z196

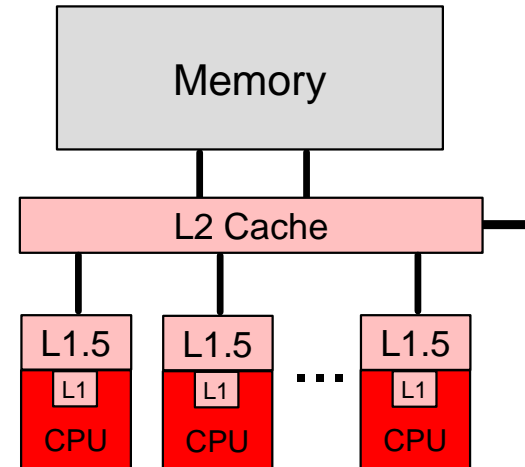
■ z10 EC

▶ CPU

– 4.4 GHz

▶ Caches

- L1 private 64k i, 128k d
- L1.5 private 3 MB
- L2 shared 48 MB / book
- book interconnect: star



■ z196

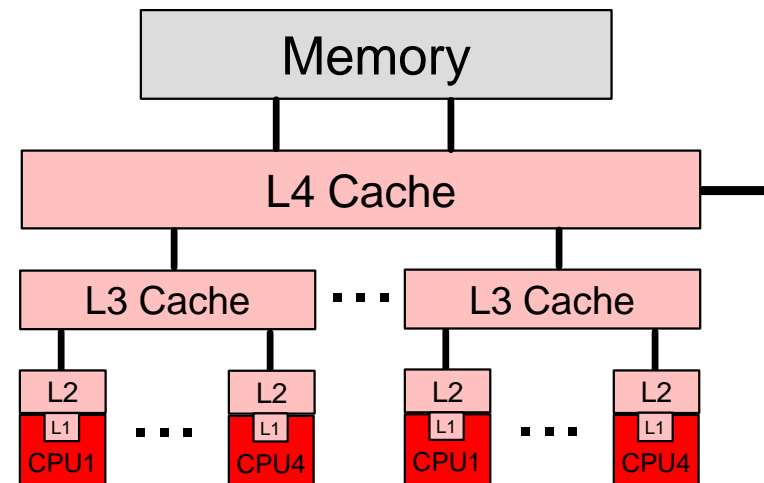
▶ CPU

– 5.2 GHz

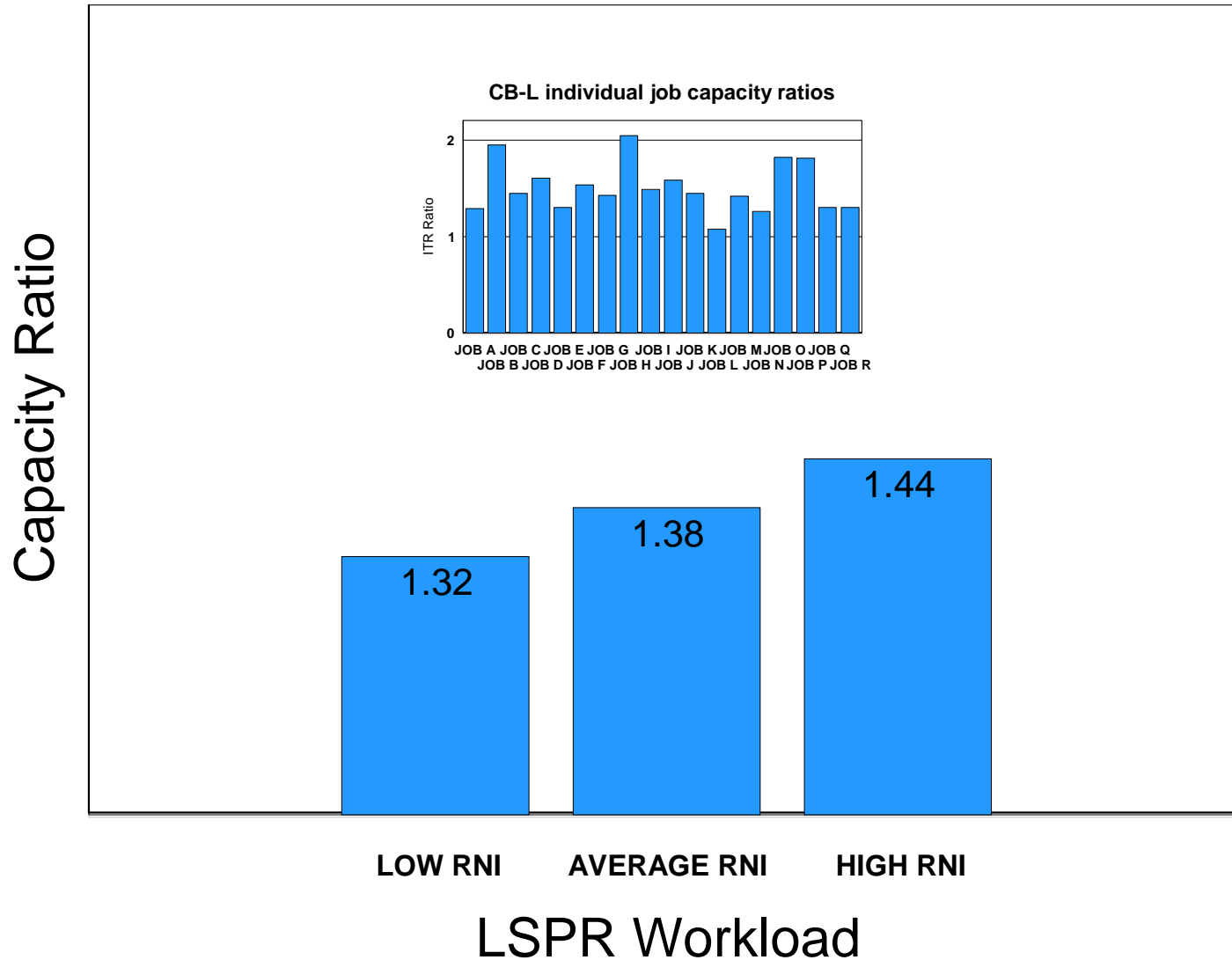
– Out-Of-Order execution

▶ Caches

- L1 private 64k i, 128k d
- L2 private 1.5 MB
- L3 shared 24 MB / chip
- L4 shared 192 MB / book
- book interconnect: star



LSPR Single Image Capacity Ratios 10way: z196 versus z10 EC



System Design + Workload Characteristics

Variation from Average: sometimes fairly small

Example: z196 to zEC12

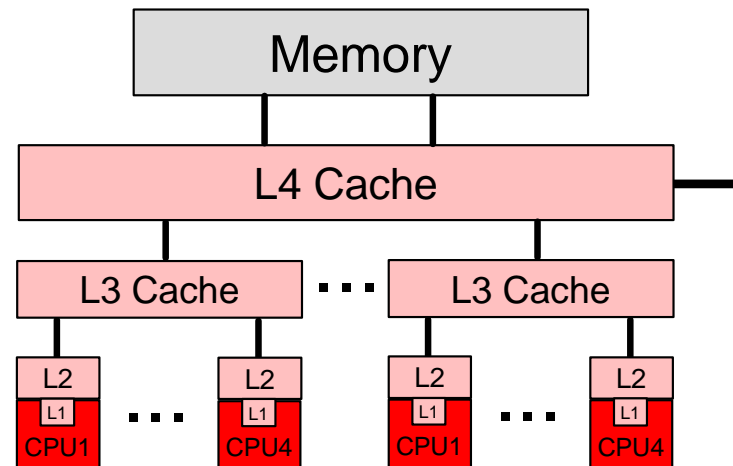
■ z196

▶ CPU

- 5.2 GHz
- Out-Of-Order execution

▶ Caches

- L1 private 64k i, 128k d
- L2 private 1.5 MB
- L3 shared 24 MB / chip
- L4 shared 192 MB / book



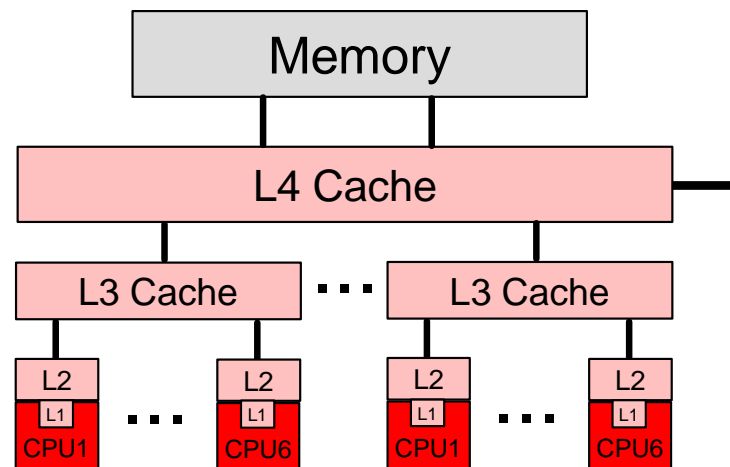
■ zEC12

▶ CPU

- 5.5 GHz
- Enhanced Out-Of-Order

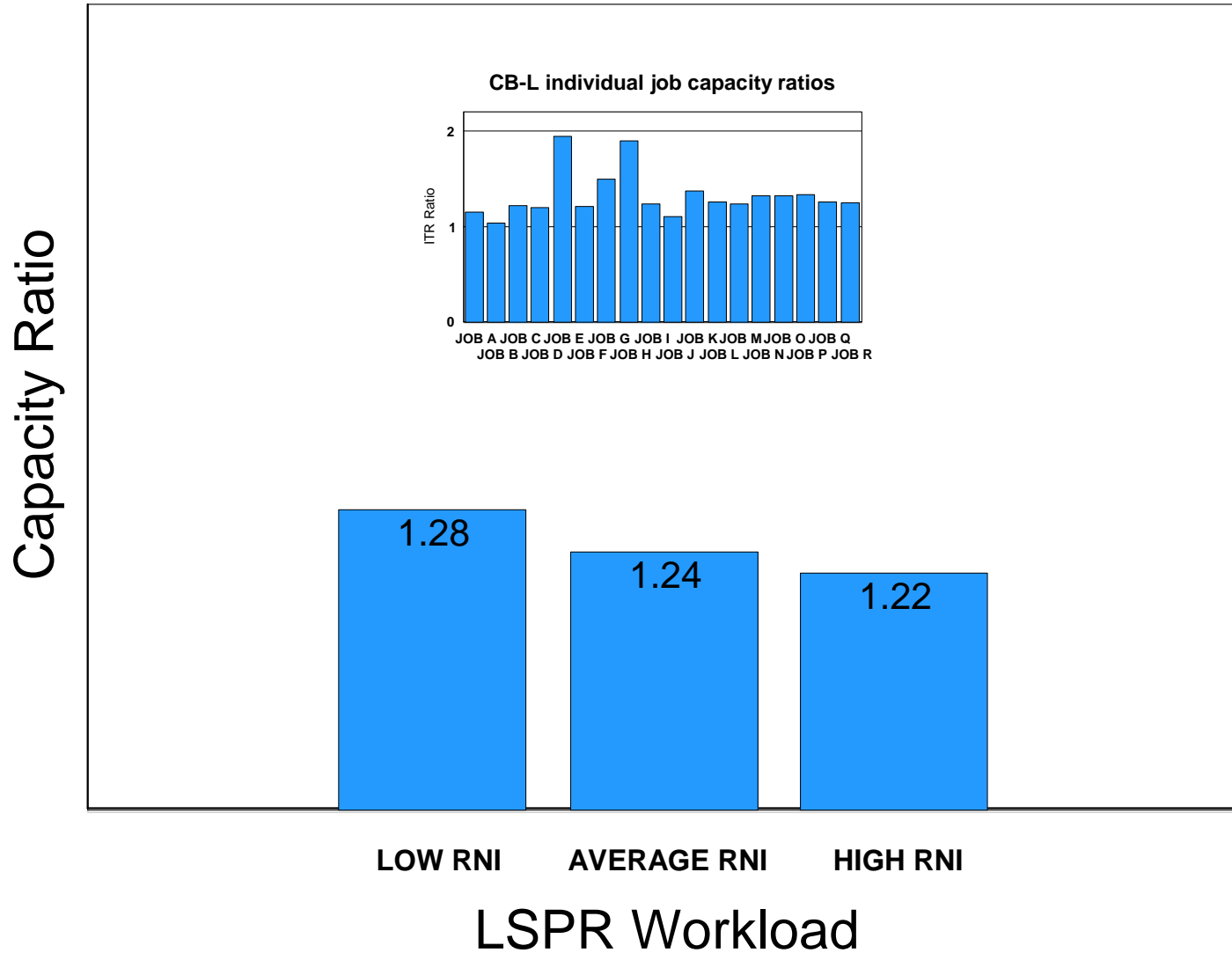
▶ Caches

- L1 private 64k i, 96k d
- L2 private 1 MB i + 1 MB d
- L3 shared 48 MB / chip
- L4 shared 384 MB / book

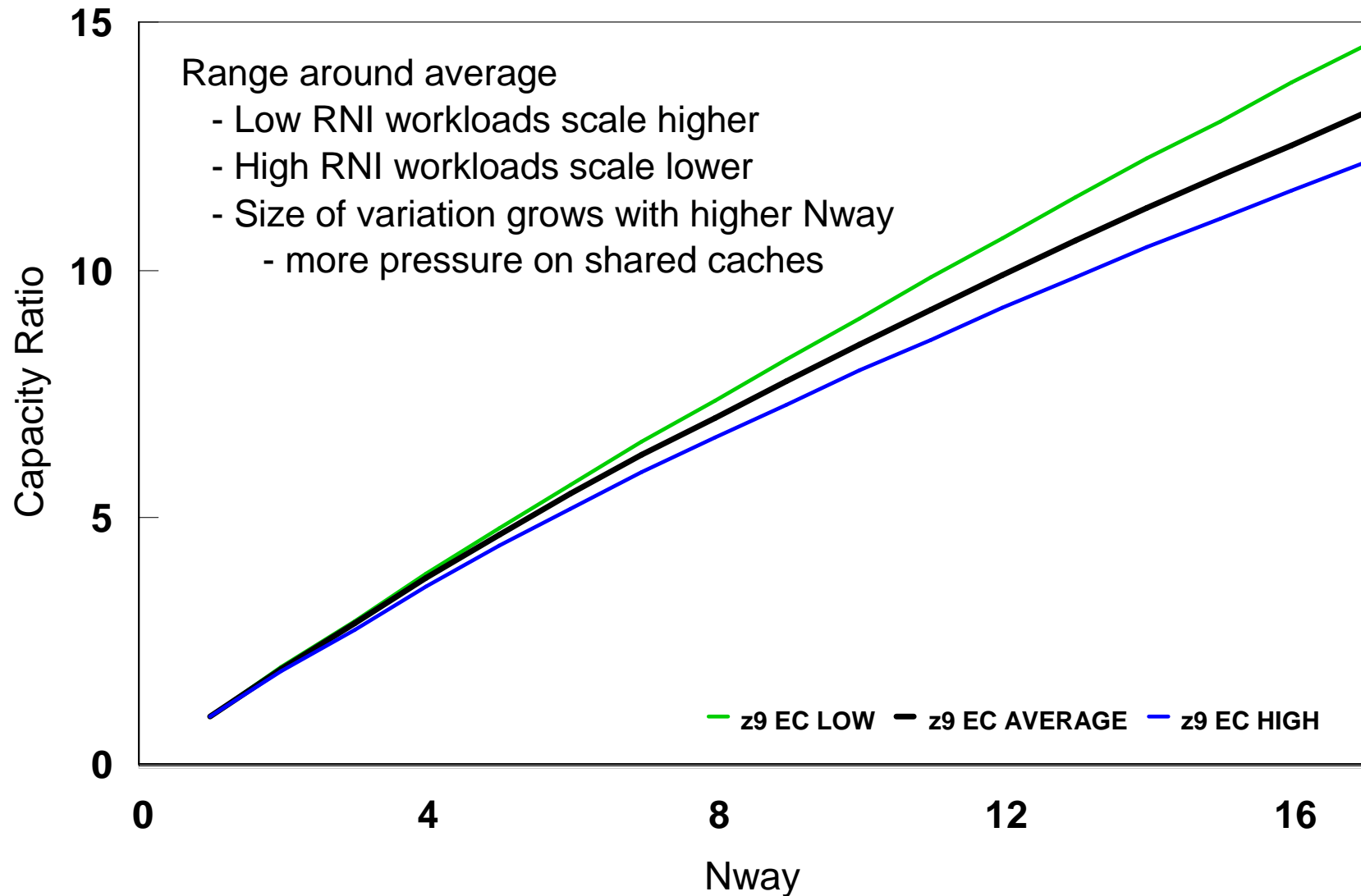


LSPR Single Image Capacity Ratios

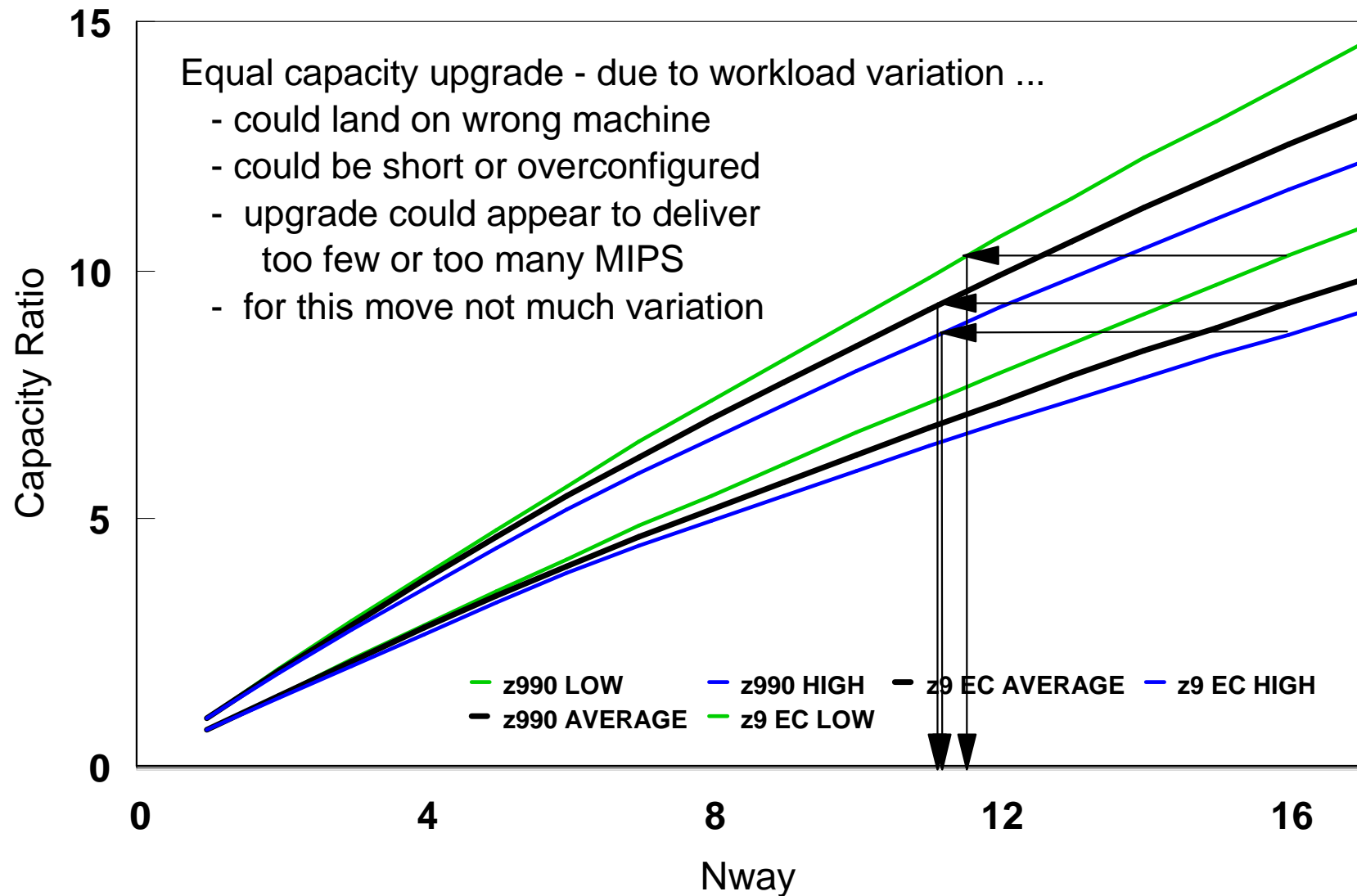
10way: zEC12 versus z196



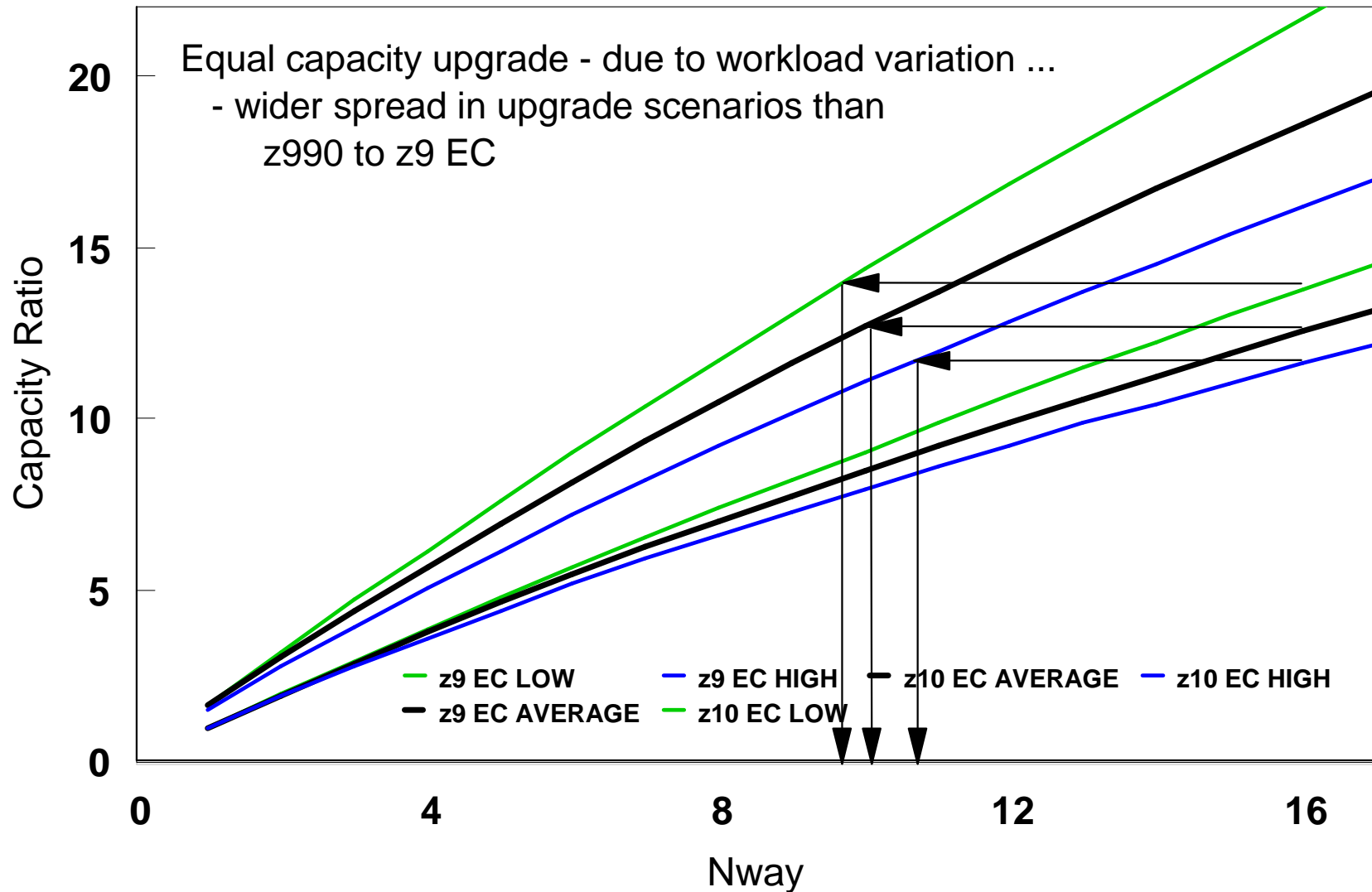
Workload Scalability Variation from Average Example: z9 EC



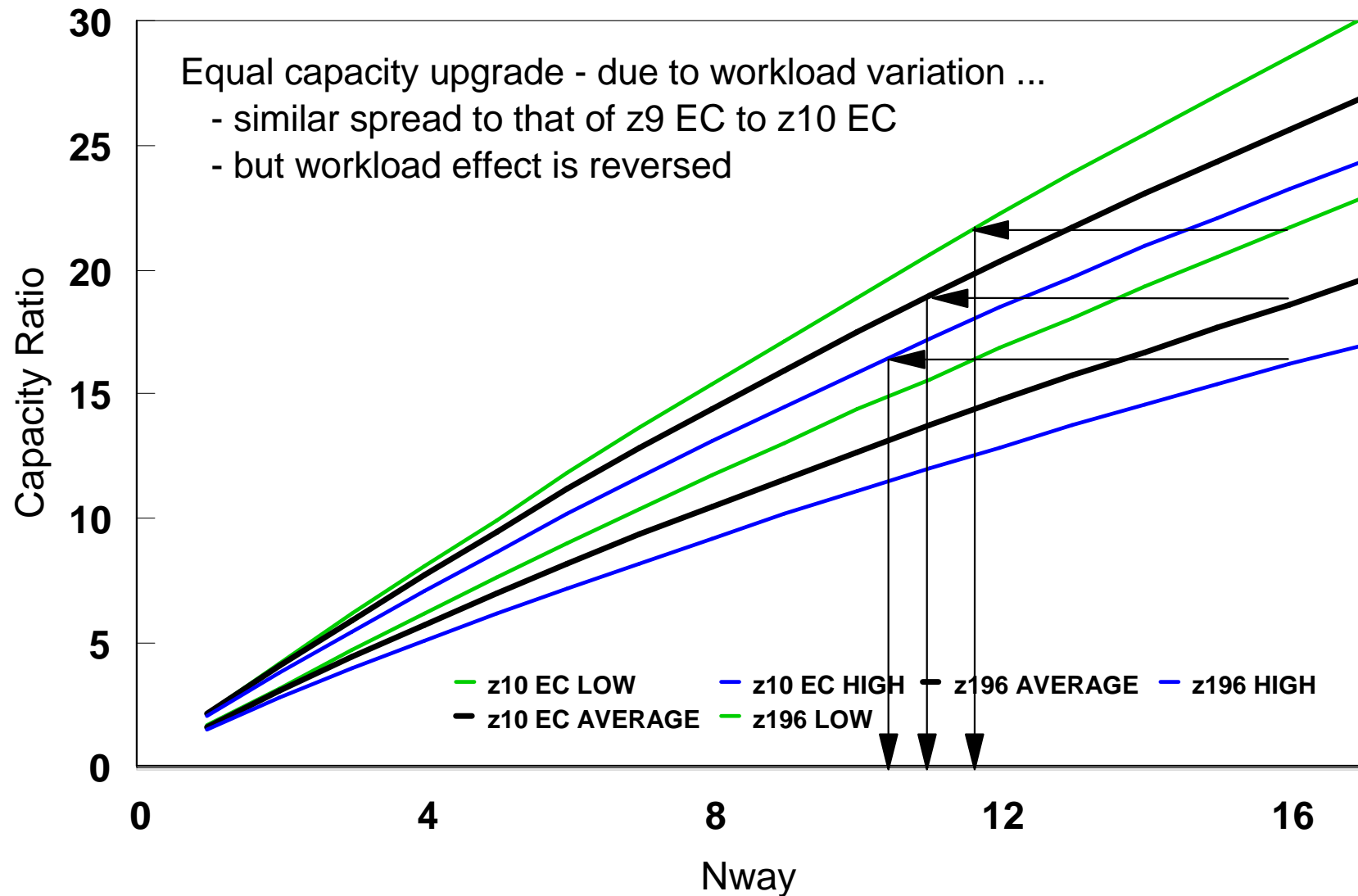
Workload Scalability Variation from Average Example: moving from z990 to z9 EC



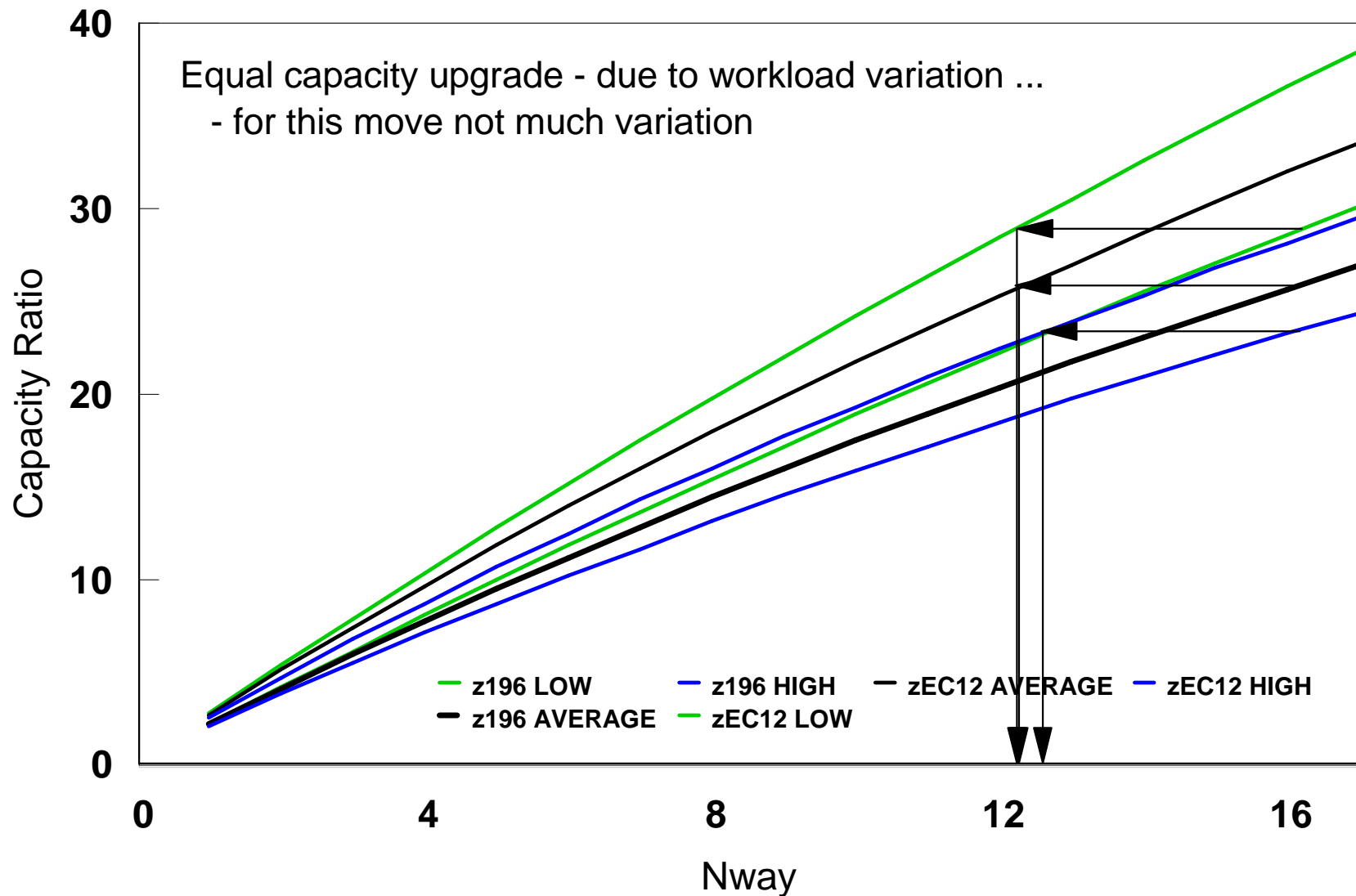
Workload Scalability Variation from Average Example: moving from z9 EC to z10 EC



Workload Scalability Variation from Average Example: moving from z10 EC to z196



Workload Scalability Variation from Average Example: moving from z196 to zEC12



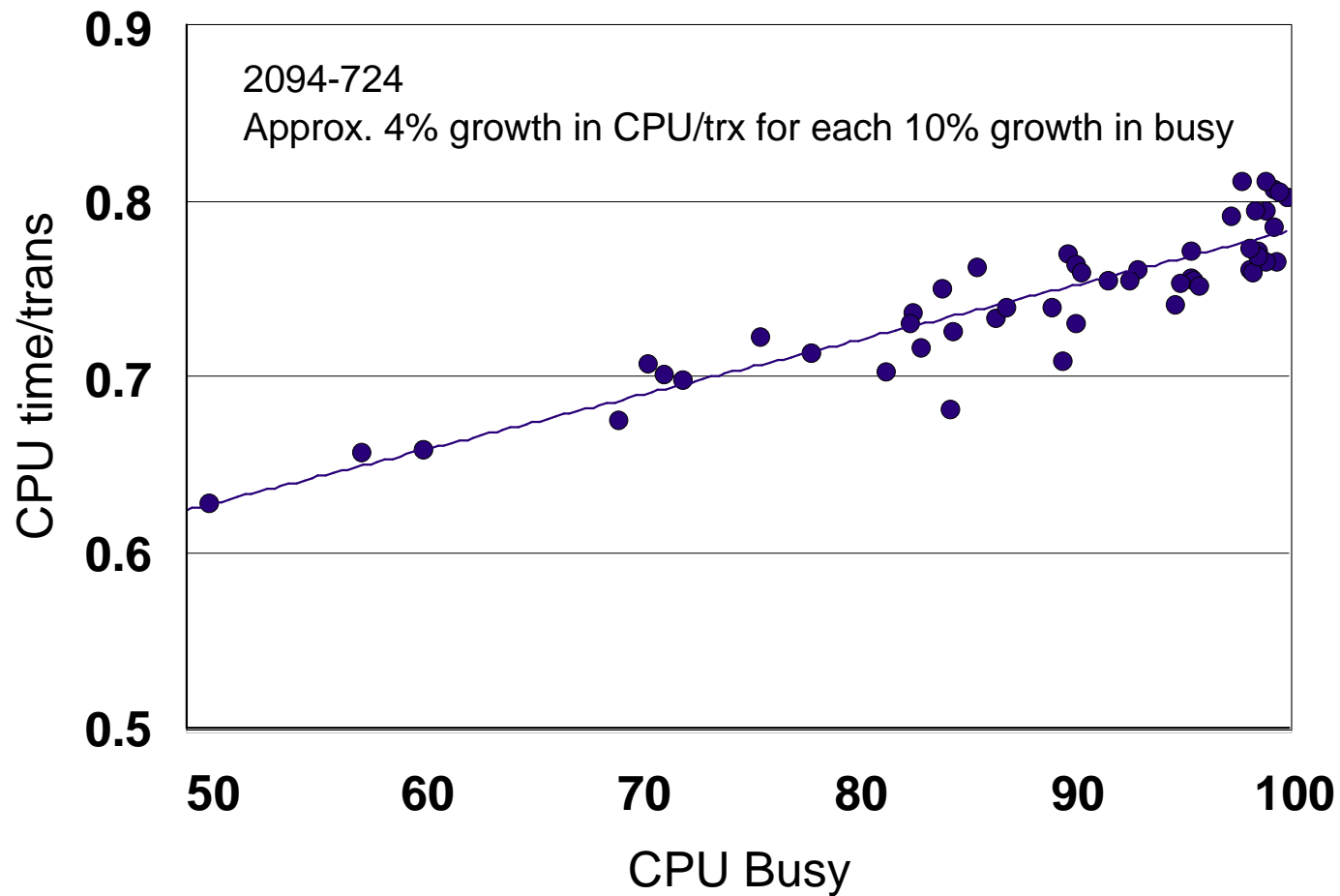
CPU Utilization

Source of Variation

- CPU utilization generally reflects the amount of work flowing through a fixed HW/SW configuration
 - ▶ the higher the workload rate, the higher the utilization
- As more work flows through a fixed HW/SW configuration, the efficiency of the HW and SW is reduced
 - ▶ less shared HW resources (caches, buses) available to each work unit
 - ▶ SW manages more work units - longer queues, more contention
 - ▶ CPU time per transaction or job will grow
- Magnitude of the effect is related to
 - ▶ workload characteristics
 - higher RNI workloads (as measured at higher utilizations) see higher impact
 - ▶ size of the processor
 - smallest Nways (say 1-4way) are somewhat less sensitive

OLTP Client Workload Example

Growth in CPU time/trans as CPU busy increases



CPU Utilization

Impact to Capacity Planning When Using MIPS

- Impact to capacity planning comes in two flavors
 - ▶ may have less headroom on the box than you think
 - ▶ when moving a workload, it may not fit in the new container

- Example
 - ▶ assume a workload is running at 50% busy on a 2000 MIPS box
 - without factoring in utilization effect, it will be called a 1000 MIPS workload
 - in fact, it may be an 1200 MIPS workload when running at the efficiency of a 90% busy box
 - ▶ caution #1: there is NOT room to double this workload on the current box
 - ▶ caution #2: if moved to a new box or LPAR, it will likely need a 1200 MIPS container (not 1000 MIPS) to fit

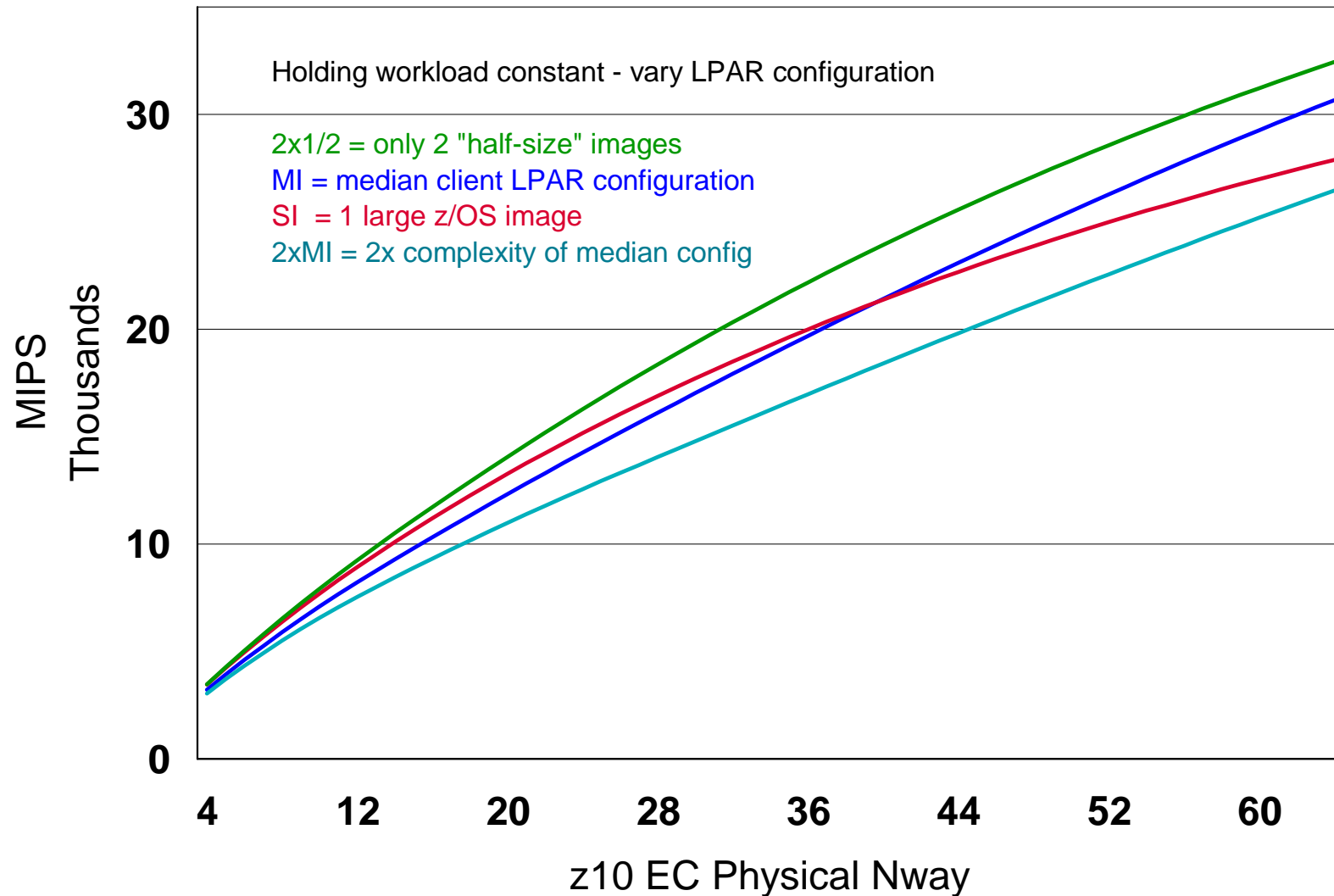
- Estimating the impact - conservative approach
 - ▶ For a change in utilization of 10%, plan for the capacity effect to be
 - 3% for LOW RNI workloads
 - 4% for AVERAGE RNI workloads
 - 5% for HIGH RNI workloads

LPAR Configurations

Variation from Average MIPS

- LPAR configurations affect the efficiency of the HW and SW
 - ▶ key factors
 - workload characteristics
 - number of LPARs
 - number of logical processors and weight of each LPAR
 - overall ratio of logical to physical processors
- MIPS ratings are based on AVERAGE wkld and median client LPAR config
 - ▶ median client LPAR configuration varies by Nway
 - number of LPARs
 - 5 at low-end, 9 at high-end
 - generally 2 are major (>20% of weight), rest are minor
 - size of major LPARs
 - close to Nway of box for low/mid-range Nways, well less than Nway at high-end
 - logical:physical ratio
 - 5:1 at low end, 2:1 for most, 1.3:1 at high end

Example LPAR Configurations Effect on MIPS



Coupling Technology Impact on MIPS

- Sysplex configurations affect the efficiency of the HW and SW
 - ▶ key factors
 - workload characteristics - rate of operations to the coupling facility
 - speed of coupling technology (CPU and links) versus speed of host technology
 - ▶ example host effects
 - 2% for light coupling workload
 - 5-7% for medium coupling workload with speed-matched CF technology
 - 9% for medium coupling workload with "slow" CF technology
 - 10-14% for heavy coupling workload with speed-matched CF technology
 - 18% for heavy coupling workload with "slow" CF technology
- When upgrading the host, must consider impact of CF technology on MIPS requirement

So, what have we learned about MIPS?

- When there is a big change in a sensitive factor - be careful
 - ▶ move to new processor technology
 - ▶ change in workload characteristics
 - ▶ change in CPU utilization
 - ▶ change in LPAR configuration
 - ▶ change in coupling technology
- But, most of the time, the items above are stable or change only a little
 - ▶ for example, adding an engine to an existing processor
- And over the long run many variations tend to "even out"
 - ▶ for example, when moving to a new technology, a below average workload this time is often an above average workload the next time

Conclusions about MIPS

- MIPS are fine for long term workload trending
- MIPS are okay for short term planning where there are only minor changes in any of the sensitive factors
- But whenever there is to be a major change, there is a risk of significant variation from average (MIPS) and additional analysis should be done
- Useful tool to help with "additional analysis" - zPCR

zPCR

- Capacity sizing tool available for download from
 - ▶ <http://www.ibm.com/support/techdocs/atsmastr.nsf/WebIndex/PRS1381>
 - ▶ or just search for "zPCR download"
- Through customization, zPCR can provide insight on many of the sensitive factors discussed in this presentation
 - ▶ system design
 - ▶ workload characteristics
 - ▶ workload scaling
 - ▶ LPAR configurations