

# Virtual Tape Replication Multi-Vendor Panel – CA Vtape

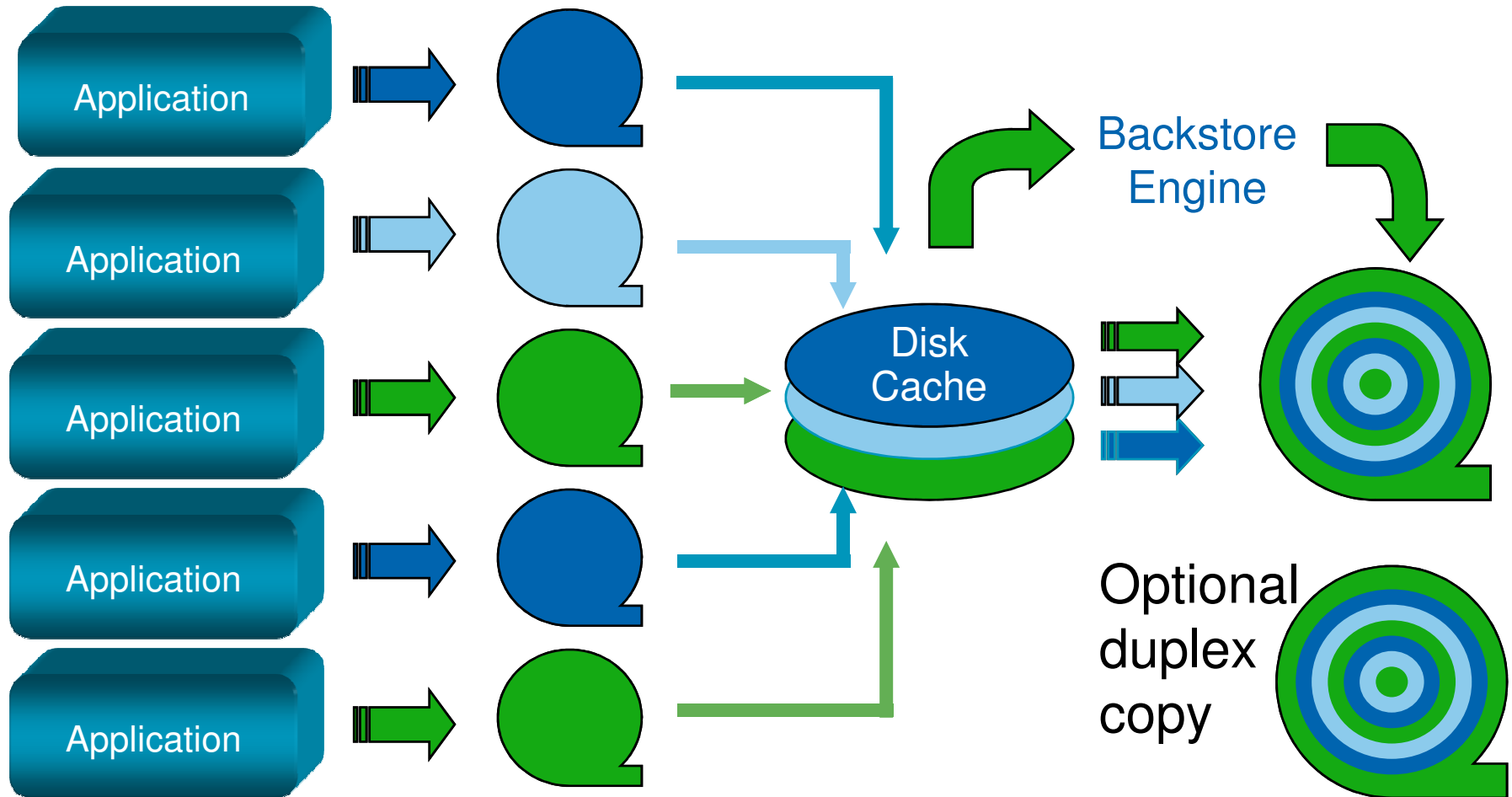
Russell Witt  
CA Technologies

Wednesday, August 10th, 4:30  
Session Number 09969

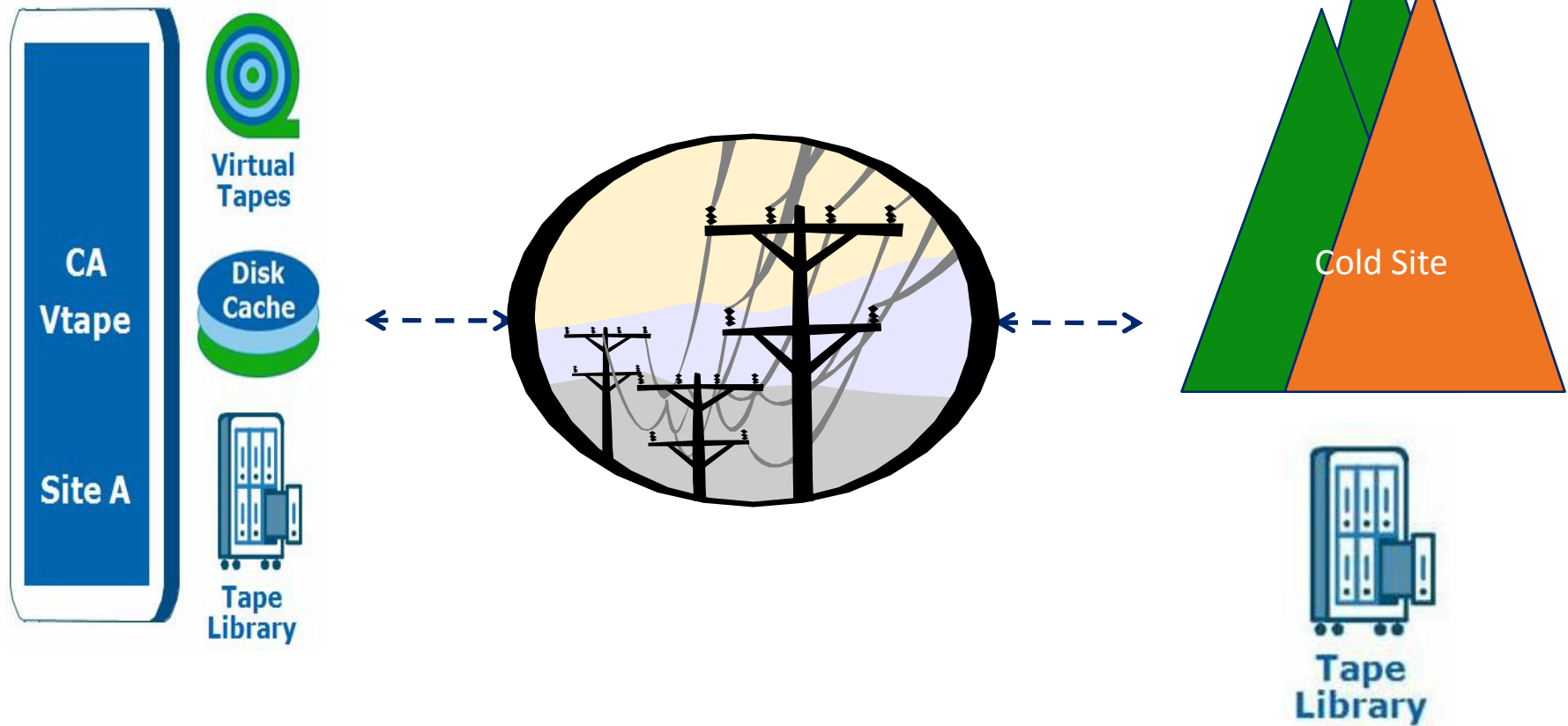
## CA Vtape - Overview

- CA Vtape is a software only Virtual Tape solution
- UCB's are defined like normal, but virtual devices are assigned
- As data is written to a Virtual-Volume, it is really written to normal z/OS dasd CACHE
- Once the volume has been dismounted, the Virtual-Volume in CACHE may be eligible to be copied to physical volume(s) or to NFS attached file server appliances
- Rules are in place to control how long the CACHE copy remains, but will not be deleted unless the Virtual-Volume has been scratched by the Tape Management System or a backstore copy exists

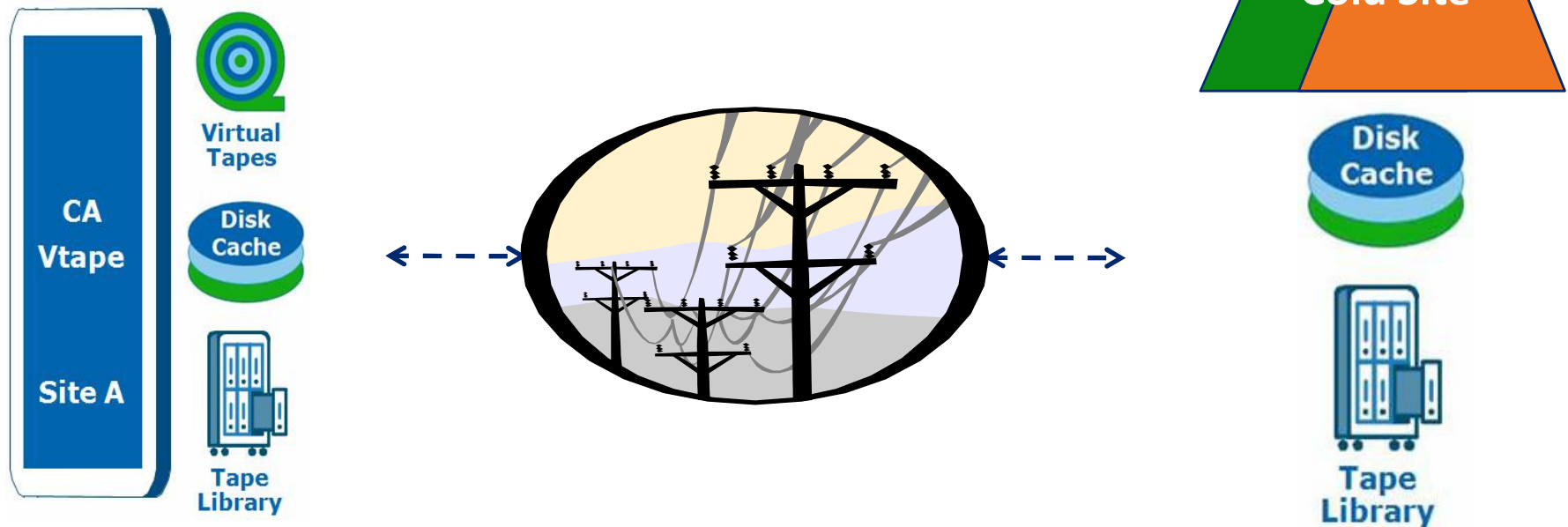
# CA Vtape basic overview



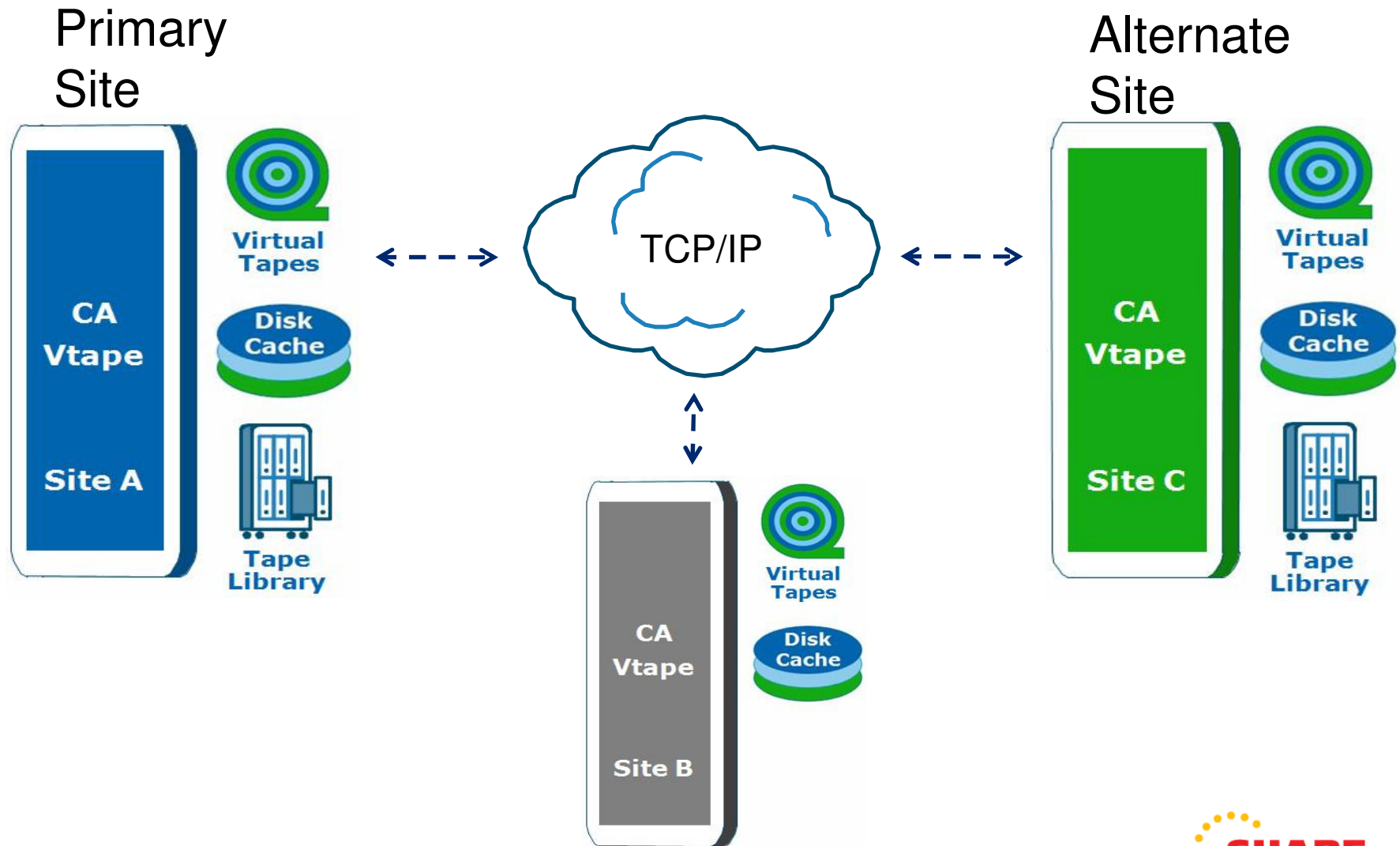
# Channel Extender for Duplex Copy



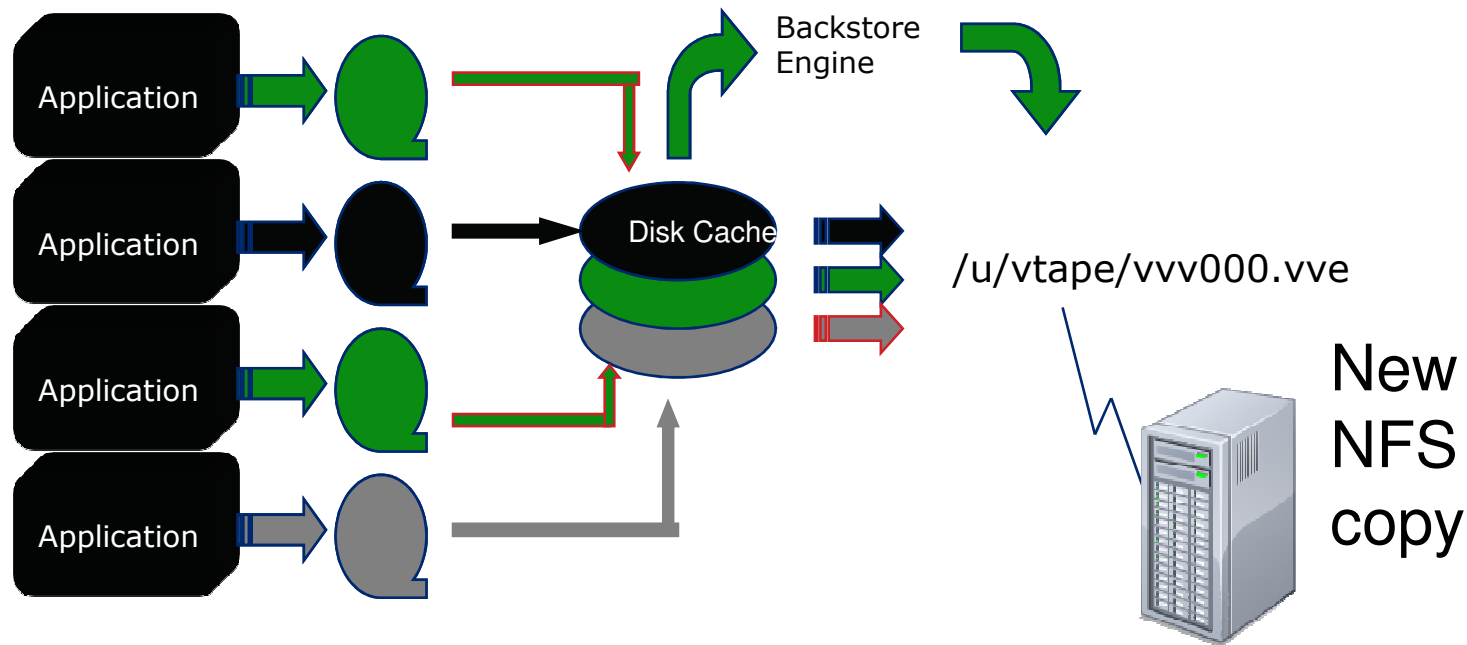
# Channel Extender for Disk Cache and Duplex Tape



# Peer-to-Peer option



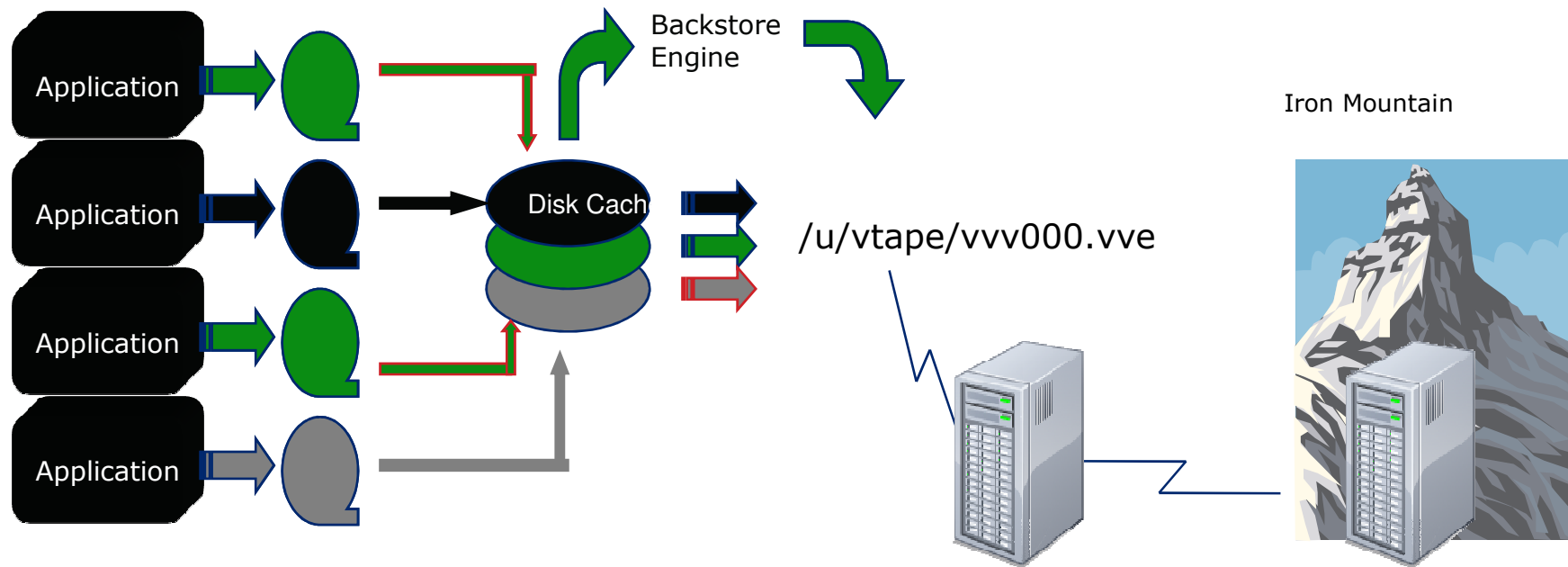
# New NFS option



Primary copy - optional 

Duplex copy - optional 

# NFS Copy replicated to cold-site





## New NFS options

- Can be done with or without physical copies being created (no physical tape, primary only, both primary and duplex)
- Can be replicated only (with NetApp as an example)
- Can be done with replicated de-duplication (Falconstor or EMC's Data Domain)
- Any NFS attached file server you choose supported by z/OS